

Unirain F30 - F30F

Full Circle Impact Sprinkler Low and Medium flow Brass



Application

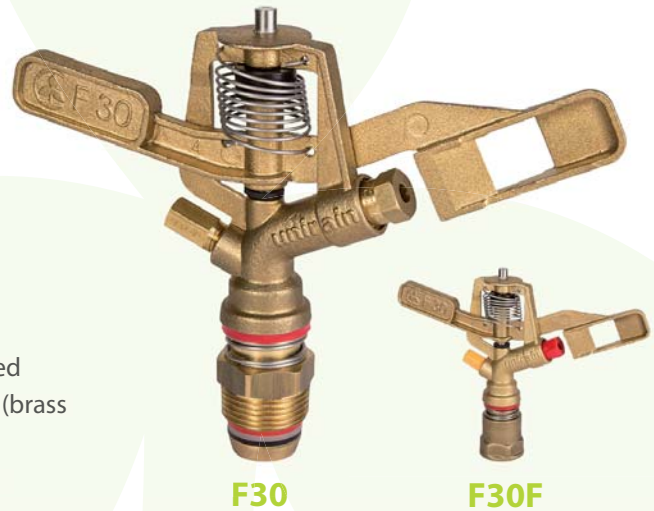
Recommended for agricultural use, and medium flows, it is very suitable for removable pipe systems. It can be assembled with one or two nozzles. It is ideal for farmers, as it is a strong and durable product that reduces evaporation loss and wind effect thanks to its water jet throw radius. It can be assembled with female base thread in order to avoid waste of material.

Advantages

- Made of brass, its arm and body have a wide impact area that provides longer life.
- Its counterweighted arm provides a steady turn speed.
- It can be assembled with one or two nozzles.
- Three different vanes can be used to achieve the desired coverage and spray balance according to the available system pressure.

Technical specifications

- Full circle impact sprinkler
- 3/4" base thread male or female (F30F)
- Main and secondary nozzle
- 25° nozzle trajectory angle.
- Pressure range: 1.38 - 5.52 Bar
- Nozzle range: 9/64" (3,57mm) - 7/32" (5,6mm)
- Body, arm and bearing assembly made of brass.
- Fulcrum pin and springs made of stainless steel.
- Color-coded anti abrasive acetal resin nozzles carved in millimetres and inches for a better identification (brass nozzles to be optionally assembled).
- Backturn lock between the sprinkler body and the bearing spring.



| | Pressure (bar) | Nozzles | Vanes |
|-----------------|----------------|-------------|--------------|
| HIGH | 4.14 | 3PRN 6 3FCN | 30 V |
| MEDIUM | 2.76 | 3PRN 6 3FCN | WITHOUT VANE |
| LOW | 2.07 | 3PRN | 30RV |
| VERY LOW | 1.38 | 3PRN | 30BV |



| F30 | PRESSURE (Bar) | NOZZLES 9/64" + 3/32" | | NOZZLES 5/32" + 3/32" | | NOZZLES 11/64" + 3/32" | | NOZZLES 3/16" + 3/32" | | NOZZLES 3/16" + 1/8" | | NOZZLES 13/64" + 1/8" | | NOZZLES 7/32" + 1/8" | |
|-------------|----------------|-----------------------|------|-----------------------|------|------------------------|------|-----------------------|------|----------------------|------|-----------------------|------|----------------------|------|
| | | L/H | R(m) | L/H | R(m) | L/H | R(m) | L/H | R(m) | L/H | R(m) | L/H | R(m) | L/H | R(m) |
| TWO NOZZLES | 1.38 | | | 979 | 12.0 | 1126 | 12.2 | 1285 | 12.4 | 1511 | 12.4 | 1697 | 12.5 | 1892 | 12.6 |
| | 1.72 | 949 | 12.2 | 1097 | 12.5 | 1261 | 12.6 | 1433 | 13.0 | 1681 | 13.0 | 1885 | 13.1 | 2101 | 13.4 |
| | 2.07 | 1040 | 12.3 | 1199 | 13.0 | 1379 | 13.4 | 1574 | 13.9 | 1851 | 13.9 | 2078 | 14.3 | 2317 | 14.6 |
| | 2.41 | 1124 | 12.5 | 1297 | 13.3 | 1492 | 13.7 | 1706 | 14.3 | 2005 | 14.3 | 2255 | 14.8 | 2521 | 15.2 |
| | 2.76 | 1201 | 12.6 | 1388 | 13.4 | 1597 | 14.0 | 1824 | 14.6 | 2149 | 14.6 | 2419 | 15.1 | 2703 | 15.5 |
| | 3.10 | 1274 | 12.8 | 1472 | 13.6 | 1694 | 14.3 | 1937 | 14.9 | 2283 | 14.9 | 2566 | 15.4 | 2873 | 15.8 |
| | 3.45 | 1342 | 13.0 | 1549 | 13.7 | 1787 | 14.5 | 2044 | 15.2 | 2407 | 15.2 | 2703 | 15.7 | 3032 | 16.2 |
| | 3.79 | 1408 | 13.1 | 1624 | 13.9 | 1874 | 14.6 | 2146 | 15.4 | 2521 | 15.4 | 2839 | 15.8 | 3180 | 16.3 |
| | 4.14 | 1472 | 13.3 | 1697 | 14.0 | 1953 | 14.8 | 2239 | 15.5 | 2635 | 15.5 | 2953 | 16.0 | 3293 | 16.5 |
| | 4.48 | 1533 | 13.4 | 1767 | 14.2 | 2028 | 14.9 | 2333 | 15.7 | 2748 | 15.7 | 3066 | 16.2 | 3407 | 16.6 |
| | 4.83 | 1590 | 13.6 | 1835 | 14.3 | 2101 | 15.1 | 2421 | 15.8 | 2839 | 15.8 | 3180 | 16.3 | 3509 | 16.8 |
| | 5.17 | 1647 | 13.7 | 1901 | 14.5 | 2171 | 15.2 | 2503 | 16.0 | 2930 | 16.0 | 3271 | 16.5 | 3611 | 16.9 |
| | 5.52 | 1701 | 13.9 | 1965 | 14.6 | 2242 | 15.4 | 2580 | 16.2 | 3009 | 16.2 | 3361 | 16.6 | 3702 | 17.1 |

| F30P | PRESSURE (Bar) | NOZZLES 9/64" | | NOZZLES 5/32" | | NOZZLES 11/64" | | NOZZLES 3/16" | | NOZZLES 13/64" | | NOZZLES 7/32" | |
|---------------------|----------------|---------------|------|---------------|------|----------------|------|---------------|------|----------------|------|---------------|------|
| | | L/H | R(m) | L/H | R(m) | L/H | R(m) | L/H | R(m) | L/H | R(m) | L/H | R(m) |
| ONE NOZZLE AND PLUG | 1.38 | 584 | | 714 | 12.0 | 861 | 12.2 | 1020 | 12.4 | 1205 | 12.5 | 1400 | 12.6 |
| | 1.72 | 654 | 12.2 | 799 | 12.5 | 963 | 12.6 | 1136 | 13.0 | 1340 | 13.1 | 1556 | 13.4 |
| | 2.07 | 715 | 12.3 | 874 | 13.0 | 1054 | 13.4 | 1249 | 13.9 | 1476 | 14.3 | 1715 | 14.6 |
| | 2.41 | 772 | 12.5 | 945 | 13.3 | 1140 | 13.7 | 1354 | 14.3 | 1601 | 14.8 | 1862 | 15.2 |
| | 2.76 | 827 | 12.6 | 1011 | 13.4 | 1220 | 14.0 | 1449 | 14.6 | 1715 | 15.1 | 1999 | 15.5 |
| | 3.10 | 877 | 12.8 | 1072 | 13.6 | 1295 | 14.3 | 1540 | 14.9 | 1817 | 15.4 | 2124 | 15.8 |
| | 3.45 | 924 | 13.0 | 1131 | 13.7 | 1365 | 14.5 | 1626 | 15.2 | 1919 | 15.7 | 2248 | 16.2 |
| | 3.79 | 970 | 13.1 | 1186 | 13.9 | 1431 | 14.6 | 1708 | 15.4 | 2010 | 15.8 | 2362 | 16.3 |
| | 4.14 | 1013 | 13.3 | 1238 | 14.0 | 1492 | 14.8 | 1783 | 15.5 | 2101 | 16.0 | 2442 | 16.5 |
| | 4.48 | 1056 | 13.4 | 1290 | 14.2 | 1551 | 14.9 | 1858 | 15.7 | 2180 | 16.2 | 2521 | 16.6 |
| | 4.83 | 1097 | 13.6 | 1340 | 14.3 | 1610 | 15.1 | 1931 | 15.8 | 2260 | 16.3 | 2589 | 16.8 |
| | 5.17 | 1136 | 13.7 | 1388 | 14.5 | 1667 | 15.2 | 1999 | 16.0 | 2328 | 16.5 | 2657 | 16.9 |
| | 5.52 | 1174 | 13.9 | 1431 | 14.6 | 1722 | 15.4 | 2065 | 16.2 | 2385 | 16.6 | 2725 | 17.1 |

| F30V | PRESSURE (Bar) | NOZZLES 9/64" + 3/32" | | NOZZLES 5/32" + 3/32" | | NOZZLES 11/64" + 3/32" | | NOZZLES 3/16" + 3/32" | | NOZZLES 3/16" + 1/8" | | NOZZLES 13/64" + 1/8" | | NOZZLES 7/32" + 1/8" | |
|------------------------------------|----------------|-----------------------|------|-----------------------|------|------------------------|------|-----------------------|------|----------------------|------|-----------------------|------|----------------------|------|
| | | L/H | R(m) | L/H | R(m) | L/H | R(m) | L/H | R(m) | L/H | R(m) | L/H | R(m) | L/H | R(m) |
| TWO NOZZLES AND VANE TO HIGH RANGE | 2.41 | 1123 | 13.5 | 1298 | 14.1 | 1494 | 14.5 | 1706 | 15.1 | 2010 | 15.1 | 2263 | 15.7 | 2528 | 16.0 |
| | 2.76 | 1201 | 13.9 | 1388 | 14.3 | 1597 | 14.6 | 1824 | 15.4 | 2149 | 15.4 | 2419 | 16.0 | 2703 | 16.2 |
| | 3.10 | 1274 | 14.0 | 1472 | 14.6 | 1694 | 14.9 | 1937 | 15.8 | 2283 | 15.8 | 2566 | 16.2 | 2873 | 16.5 |
| | 3.45 | 1342 | 14.2 | 1549 | 14.9 | 1787 | 15.2 | 2044 | 16.2 | 2407 | 16.2 | 2703 | 16.3 | 3032 | 16.8 |
| | 3.79 | 1408 | 14.3 | 1624 | 15.3 | 1874 | 15.5 | 2146 | 16.5 | 2521 | 16.5 | 2839 | 16.5 | 3180 | 17.1 |
| | 4.14 | 1472 | 14.5 | 1697 | 15.4 | 1953 | 15.7 | 2239 | 16.6 | 2635 | 16.6 | 2953 | 16.8 | 3293 | 17.4 |
| | 4.48 | 1533 | 14.6 | 1767 | 15.5 | 2028 | 15.8 | 2333 | 16.8 | 2748 | 16.8 | 3066 | 17.1 | 3407 | 17.7 |
| | 4.83 | 1590 | 14.8 | 1835 | 15.7 | 2101 | 16.2 | 2421 | 16.9 | 2839 | 16.9 | 3180 | 17.4 | 3509 | 18.0 |
| | 5.17 | 1647 | 14.9 | 1901 | 15.8 | 2171 | 16.5 | 2503 | 17.1 | 2930 | 17.1 | 3271 | 17.7 | 3611 | 18.3 |
| | 5.52 | 1701 | 15.2 | 1965 | 16.0 | 2242 | 16.8 | 2580 | 17.2 | 3009 | 17.2 | 3361 | 18.0 | 3702 | 18.6 |

| F30PV | PRESSURE (Bar) | NOZZLES 9/64" | | NOZZLES 5/32" | | NOZZLES 11/64" | | NOZZLES 3/16" | | NOZZLES 13/64" | | NOZZLES 7/32" | |
|---|----------------|---------------|------|---------------|------|----------------|------|---------------|------|----------------|------|---------------|------|
| | | L/H | R(m) | L/H | R(m) | L/H | R(m) | L/H | R(m) | L/H | R(m) | L/H | R(m) |
| ONE NOZZLE, PLUG AND VANE TO HIGH RANGE | 2.41 | 774 | 13.5 | 946 | 14.1 | 1141 | 14.5 | 1355 | 15.1 | 1604 | 15.7 | 1870 | 16.0 |
| | 2.76 | 827 | 13.9 | 1011 | 14.3 | 1220 | 14.6 | 1449 | 15.4 | 1715 | 16.0 | 1999 | 16.2 |
| | 3.10 | 877 | 14.0 | 1072 | 14.6 | 1295 | 14.9 | 1540 | 15.8 | 1817 | 16.2 | 2124 | 16.5 |
| | 3.45 | 924 | 14.2 | 1131 | 14.9 | 1365 | 15.2 | 1626 | 16.2 | 1919 | 16.3 | 2248 | 16.8 |
| | 3.79 | 970 | 14.3 | 1186 | 15.3 | 1431 | 15.5 | 1708 | 16.5 | 2010 | 16.5 | 2362 | 17.1 |
| | 4.14 | 1013 | 14.5 | 1238 | 15.4 | 1492 | 15.7 | 1783 | 16.6 | 2101 | 16.8 | 2442 | 17.4 |
| | 4.48 | 1056 | 14.6 | 1290 | 15.5 | 1551 | 15.8 | 1858 | 16.8 | 2180 | 17.1 | 2521 | 17.7 |
| | 4.83 | 1097 | 14.8 | 1340 | 15.7 | 1610 | 16.2 | 1931 | 16.9 | 2260 | 17.4 | 2589 | 18.0 |
| | 5.17 | 1136 | 14.9 | 1388 | 15.8 | 1667 | 16.5 | 1999 | 17.1 | 2328 | 17.7 | 2657 | 18.3 |
| | 5.52 | 1174 | 15.2 | 1431 | 16.0 | 1722 | 16.8 | 2065 | 17.2 | 2385 | 18.0 | 2725 | 18.6 |

Data obtained under ideal test conditions. It can be affected by wind, bad hydraulic conditions or other adverse factors. Highest point of the jet above the nozzle: 2.8 m (using standard nozzle 5/32" and a pressure of 3.45 Bar) Throw radius jets achieved with the 0.9m lift. Shaded areas not recommended. (*) Standard Nozzle.

Due to the large number of possible combinations of nozzles, only the most common ones are represented. To find information relating to other combinations, please advise factory.

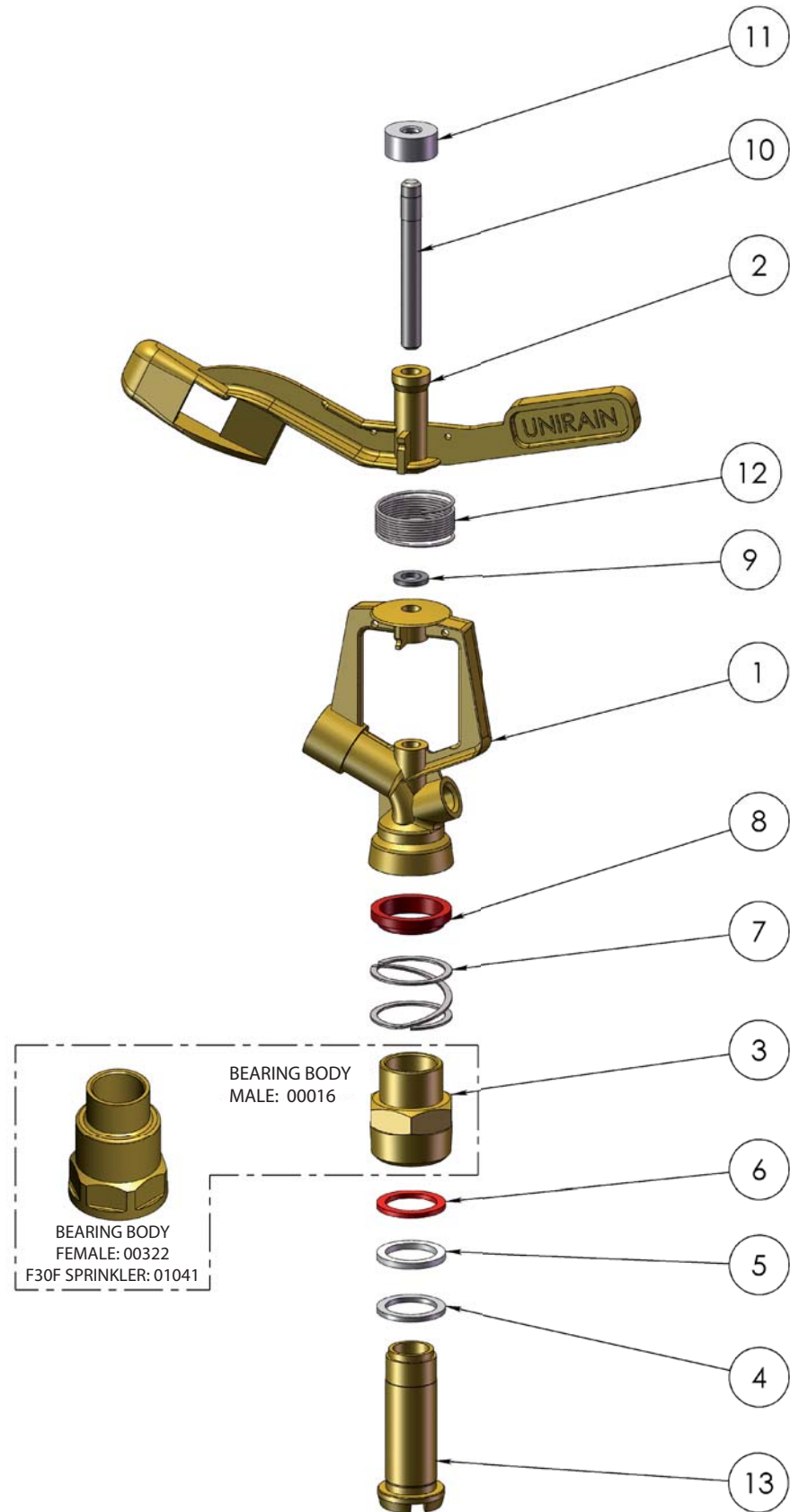
L/H: Liters Per Minute
R(m): Throw Radius (meter)

WARRANTY AND EXCLUSIONS

The manufacturer guarantees its products for direct customer against any defects in materials or manufacture for a period of two years from the original date of purchase, when the products have been used under normal operating conditions. The manufacturer assumes no responsibility for installation, removal or repairs carried out by unauthorised personnel. The manufacturer's liability under this warranty is limited to the replacement or repair of defective parts and the manufacturer does not accept responsibility for damages to crops or any other consequential damages deriving from defects in the products covered by this warranty.


THE PRESENT WARRANTY SUPERCEDES AND VOIDS ALL OTHER WARRANTIES, WHETHER EXPRESS OR IMPLIED, INCLUDING THOSE OF MERCHANTABILITY AND FITNESS FOR PARTICULAR PURPOSES OR ANY OTHER ATTRIBUTING LIABILITY TO THE MANUFACTURER.

No agent, employee or representative of the manufacturer is authorised to void, alter or add to the conditions contained in this warranty, nor to take responsibility for, nor to make guarantees not specified herein.



| COMPONENT NUMBER | PART NUMBER | DESCRIPTION | MATERIAL | QUANTITY |
|------------------|-------------|-----------------------------|-----------------------|----------|
| 1 | 00031 | F30 Sprinkler Body | Brass | 1 |
| 2 | 00029 | F30 Sprinkler Arm | Brass | 1 |
| 3 | 00016 | F30 Bearing Body | Brass | 1 |
| 4 | 07459 | Bearing Lower Washer | NBR | 1 |
| 5 | 06736 | Bearing Intermediate Washer | High Density PE | 1 |
| 6 | 00252 | Bearing Upper Washer | Anti Hydrolysis PU | 1 |
| 7 | 00018 | Bearing Spring | Stainless Steel | 1 |
| 8 | 00255 | Bearing Body Lock | High Density PE | 1 |
| 9 | 06162 | Arm Support Washer | NBR | 1 |
| 10 | 06163 | Arm Shaft | Stainless Steel | 1 |
| 11 | 06161 | Arm Hat | Low/Medium Density PE | 1 |
| 12 | 06183 | 3/4" Series Arm Spring | Stainless Steel | 1 |
| 13 | 00017 | F30 Bearing Shaft | Brass | 1 |

Notes

| | | | |
|---|--------------|-----------------------|---|
| Process/Manufacturer UNIRAIN | Size A3 | Material -- | Code 00150 |
| | Scale 1:2 | Name F30 Sprinkler | |
| PRIVATE AND CONFIDENTIAL THE INFORMATION CONTAINED ON THIS PLAN IS FOR UNIRAIN USE ONLY. FORBIDDEN CHANGE OR AMENDMENT OF VALUES OF THE PLAN WITHOUT A CONSENT IN WRITING. | | 15/05/09 E.G.B. |  |