

Unirain MP5

PIVOT Spray



Application

Fixed spray head designed to equip self-propelled irrigation systems, such as CENTER PIVOTS or LATERAL. High resistance and durability, and excellent performance in adverse conditions. Thanks to its modularity, it can be adapted to various kind of crops just by changing the plate. It can also be installed in center pivots in which there are components or areas that must not get wet, with a plate limiting the irrigated area to 180°.

Advantages

- With a total of 45 available nozzle sizes, it guarantees the highest water application precision when preparing the Center Pivot or Lateral.
- Easy identification: each nozzle is identified by a colour and its size is carved in two of the three raised mould fins.
- the ring of the corresponding complementary colour is pre-fitted to the body of the nozzle, avoiding screen-printing, which disappears over time and with the action of sunlight.
- Thanks to his three-legged body, together with the leak-proof pads, greater distribution of water in the close-in area is achieved
- the plate-holder can hold a different plate on each side, allowing the water distribution pattern to be changed just by flipping the plate-holder.
- The pads have been designed for an efficient water distribution across the irrigation machines, combined with a wide range and unbeatable uniformity.

Technical specifications

- Modular Spray.
- 3/4" M base thread.
- Leak-Proof Pad.
- Pressure range: 6-50 PSI.
- Nozzle range: #8(1/16"-1.59mm) - #52 (13/32"-10.32mm.)
- Three legged body.
- Highy-resistant UV-treated thermoplastic.
- Capacity to mount two plates on the same unit.
- Coarse Groove (RG) for a standard irrigation, and Smooth Groove (RF) for germination and sensitive crops that require smaller droplets.
- Easy identification of nozzle sizes.
- Easy maintenance required, can be disassembled without any tools.



MP5



	Description	Nozzles Range	Pressure	Assembly	Flow Range (ø)
Flat Smooth Groove Pad	Recommended for Germination and Irrigation. Working pressure: 10 - 30 PSI. Better water pulverization. Designed for drop or up-top mounting	#8-#52	10 - 30 PSI (0.7 - 2.1 bar)	with or without Drops	4.9 m-12.2 m
Concave Smooth Groove Pad	Recommended for Germination and Irrigation. Working pressure: 10 - 30 PSI. Designed for drop mounting.	#8-#52	15 - 40 PSI (1 - 2.8 bar)	with Drops	6 m-13 m
Flat Coarse Groove Pad	Recommended for Irrigation. This is the recommended standard pad. Longer throw radius. Working pressure: 15 - 40 PSI. Designed for drop or up-top mounting.	#8-#52	10 - 30 PSI (0.7 - 2.1 bar)	with or without Drops	4.9 m-12.2 m
Concave Coarse Groove Pad	Recommended for Irrigation. Working pressure: 15 - 40 PSI. Designed for drop mounting.	#8-#52	15 - 40 PSI (1 - 2.8 bar)	with Drops	6 m-13 m
180 Part Circle and Flat Smooth Groove Pad	Recommended for Germination and Irrigation. Working pressure: 10 - 30 PSI. Better water pulverization. To fix near towers and to avoid water on wheels path.	#10-#48	10 - 30 PSI (0.7 - 2.1 bar)	with Drops	4.5 m-8 m



Now with the 3/4 adapter for MP5, an improved irrigation coverage is possible.
The uniformity and performance of irrigation water can be optimized with it. It can be adapted to the required height:

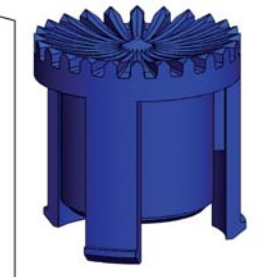
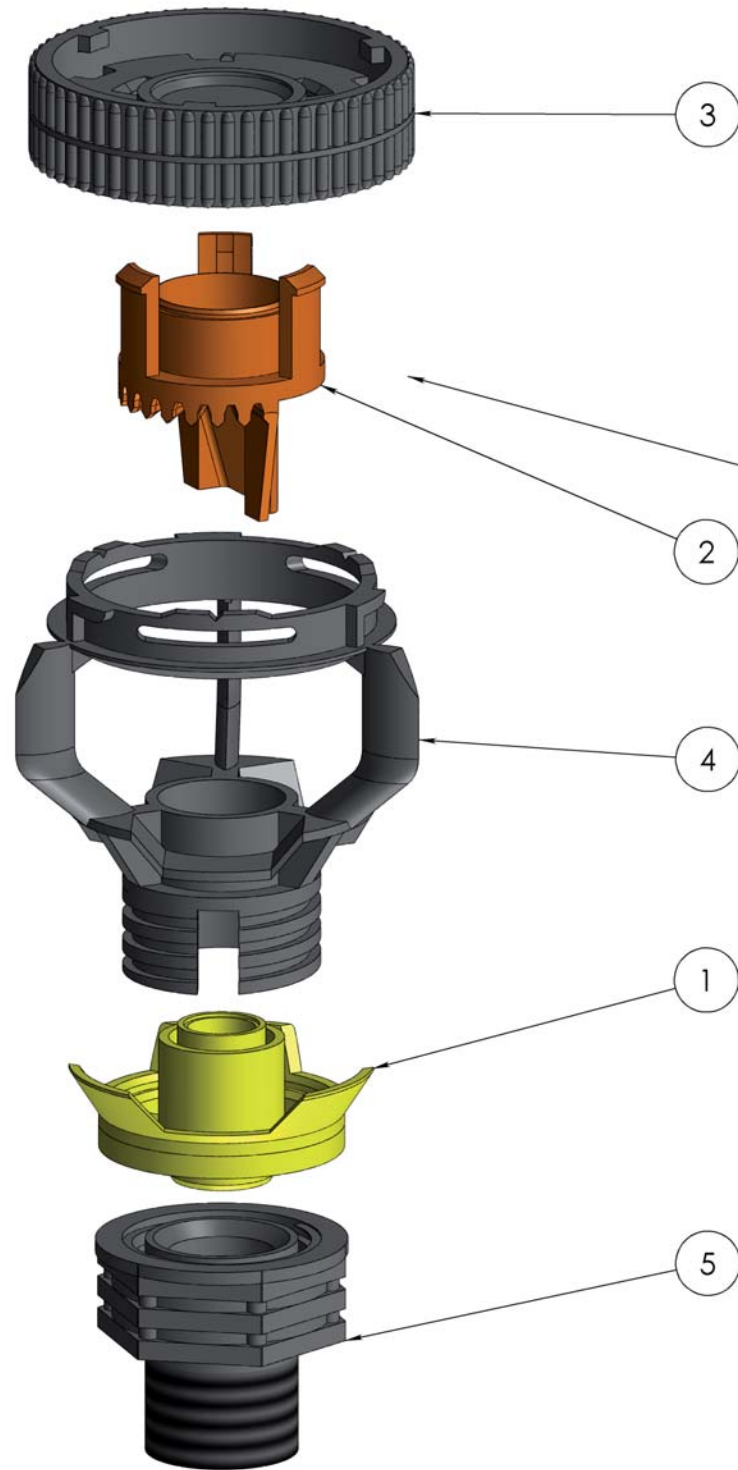
- 1 meter
- 1,2 meters
- 1,5 meters

WARRANTY AND EXCLUSIONS

The manufacturer guarantees its products for direct customer against any defects in materials or manufacture for a period of two years from the original date of purchase, when the products have been used under normal operating conditions. The manufacturer assumes no responsibility for installation, removal or repairs carried out by unauthorised personnel. The manufacturer's liability under this warranty is limited to the replacement or repair of defective parts and the manufacturer does not accept responsibility for damages to crops or any other consequential damages deriving from defects in the products covered by this warranty.

THE PRESENT WARRANTY SUPERCEDES AND VOIDS ALL OTHER WARRANTIES, WHETHER EXPRESS OR IMPLIED, INCLUDING THOSE OF MERCHANTABILITY AND FITNESS FOR PARTICULAR PURPOSES OR ANY OTHER ATTRIBUTING LIABILITY TO THE MANUFACTURER.

No agent, employee or representative of the manufacturer is authorised to void, alter or add to the conditions contained in this warranty, nor to take responsibility for, nor to make guarantees not specified herein.



SEE THE MODELS IN THE TECHNICAL SHEET

COMPONENT NUMBER	PART NUMBER	DESCRIPTION	MATERIAL	QUANTITY
1	04308 - 04352	MP5 Full Nozzle (#8 - #52) Nozzle + Seal + O-Ring	Polypropylene/NBR	1
2	04226	180° Flat smooth Groove Pad	Polyoxymethylene (POM)	1
3	04210	MP5 Top	Polyoxymethylene (POM)	1
4	04201	Mp5 Spray Body	Polyoxymethylene (POM)	1
5	04000	MP5 Base Adapter	Polyoxymethylene (POM)	1

Notes

Process/Manufacturer UNIRAIN	Size A3	Material	Code
	Scale 1:1	Name MP5 Spray	
PRIVATE AND CONFIDENTIAL THE INFORMATION CONTAINED ON THIS PLAN IS FOR UNIRAIN USE ONLY. FORBIDDEN CHANGE OR AMENDMENT OF VALUES OF THE PLAN WITHOUT A CONSENT IN WRITING.	19/11/07		
	J.N.E.		