

Unirain SP4

PIVOT Spray



Application

Fixed sprayhead designed to equip travelling irrigation systems, such as CENTER PIVOTS or LINEAR MOVES.

Advantages

- Nozzle system easy to change.
- Long wear life components.

Technical specifications

- It's composed by just three parts: body, wearpad and nozzle.
The body is made of fiber-glass reinforced polyamide and treated for protection against the UV radiation. The wearpad is made of antiabrasive polyurethane. It provides an almost unlimited durability. The nozzle is made of brass. A wide range on nozzle sizes will help achieving the desired flow.
- Large nozzle range.
- There are four different wearpads that can be used with the SP4, including 180° part circle one:
 - o Grooved Flat (PL/R): The standard wearpad can be used on drops or on top of the pipe. Up from 20 psi working pressure.
 - o Smooth Flat (PL/L): The alternative to the PL/R when the working pressure is not enough (10-15 psi).
 - o Smooth Convex (CVX/L): Just as the PL/L, this is the low pressure alternative to the CVX/R.
 - o 180° Grooved Flat (PL/R 180°): Half circle Grooved Flat wearpad. Perfect to prevent water from reaching control boxes or wheels.



SP4



PL-R



PL-L



CVX-L



PL-R 180°



3RN

Notes

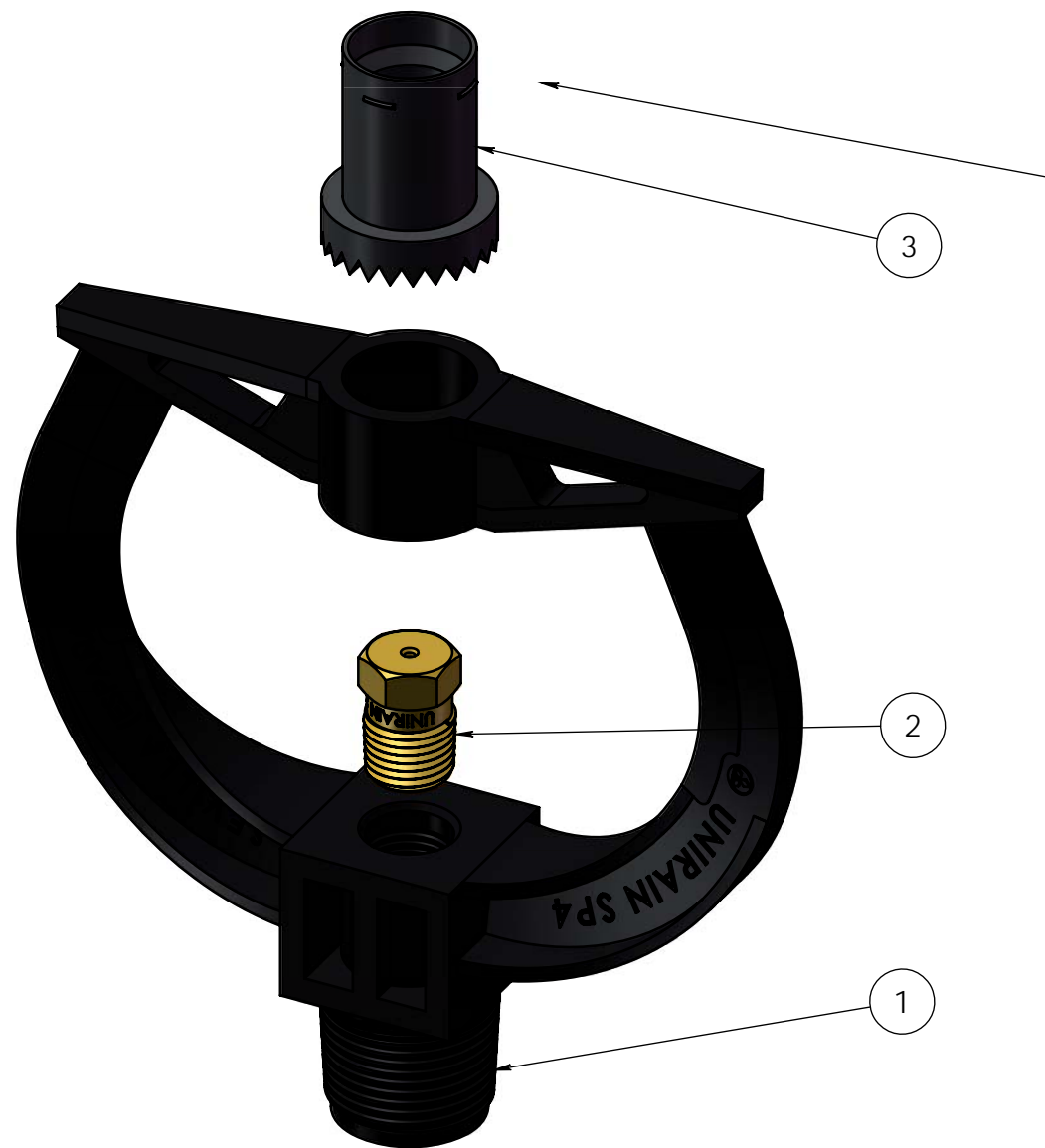
WARRANTY AND EXCLUSIONS

The manufacturer guarantees its products for direct customer against any defects in materials or manufacture for a period of two years from the original date of purchase, when the products have been used under normal operating conditions. The manufacturer assumes no responsibility for installation, removal or repairs carried out by unauthorised personnel. The manufacturer's liability under this warranty is limited to the replacement or repair of defective parts and the manufacturer does not accept responsibility for damages to crops or any other consequential damages deriving from defects in the products covered by this warranty.

THE PRESENT WARRANTY SUPERCEDES AND VOIDS ALL OTHER WARRANTIES, WHETHER EXPRESS OR IMPLIED, INCLUDING THOSE OF MERCHANTABILITY AND FITNESS FOR PARTICULAR PURPOSES OR ANY OTHER ATTRIBUTING LIABILITY TO THE MANUFACTURER.

No agent, employee or representative of the manufacturer is authorised to void, alter or add to the conditions contained in this warranty, nor to take responsibility for, nor to make guarantees not specified herein.

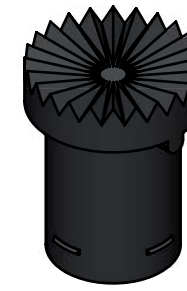
COMPONENT NUMBER	SPARE CODE	DESCRIPTION	MATERIAL	QUANTITY
1	00026	Body SP4 Unirain Spray	PA6+Fiber Glass+UV	1
2	00071	3RN Nozzle (#4 - #25)	Brass	1
3	00023	Grooved Flat Wearpad	Polyurethane (PU)	1



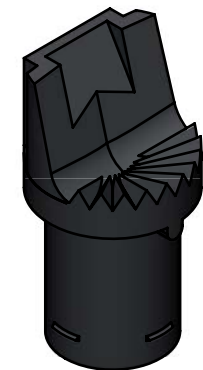
CVX/L
SMOOTH CONVEX WEARPAD
(00024)



PL/L
SMOOTH FLAT WEARPAD
(00022)



PL/R
GROOVED FLAT WEARPAD
(00023)



PL/R 180°
180° GROOVED FLAT
WEARPAD PL/R
(00027)

MODELS OF DEFLECTOR TO CHOOSE ACCORDING TO NEEDS

Notes

Process/Manufacturer <i>Unirain</i>	Size A3	Material	Code SP4
	Scale 1:1	Name SP4	
PRIVATE AND CONFIDENTIAL THE INFORMATION CONTAINED ON THIS PLAN IS FOR UNIRAIN USE ONLY. FORBIDDEN CHANGE OR AMENDMENT OF VALUES OF THE PLAN WITHOUT A CONSENT IN WRITING.	20/05/21		
	A.M.R		