

Unirain P45 - P45L

Part Circle Impact Sprinkler Low and Medium Flow Plastic



Application

Suitable for general agricultural use. Compact in design, it includes a sand-proof bearing system and reinforcing ribs on the sprinkler body. High resistance and durability, made of plastics and treated against the UV radiation. It is a very versatile sprinkler because of its reversing system and clip which allow the sprinkler switch from part to full circle and vice versa. Ideal for areas bordering or near elements that should not get wet.

Advantages

- Sand-proof bearing system and reinforcing ribs on its body.
- Perfect interior finish
- Its exclusive reversing system is protected against sand and can be disassembled in seconds without any tools.
- It can be assembled with one or two nozzles. sprinkler body adapted to be coupled to 3Q/2Q bayonet nozzle as well as 3PRN/3PSN thread nozzles.
- Three different types of water guide vane can be used to achieve the desired coverage and spray balance according to the available system pressure.

Technical specifications

- Double purpose impact sprinkler: part circle ranging from 25° to 325° with 10° steps, or full circle.
- 3/4" Male base thread
- MDual nozzle, main and secondary
- 23° nozzle trajectory angle.
- Pressure range: 1,38 - 5,52 Bar
- Nozzle range: 1/8" (3,18mm) - 1/4" (6,35mm).
- Made of acetal resin with UV-protection treatment.
- Fulcrum pin and springs made of stainless steel.
- Expanded fulcrum pin upper end diameter for a better fitting into the sprinkler body.
- Color-coded anti abrasive acetal resin nozzles carved in millimetres and inches for clear identification.
- Reverse system protected
- Female thread adapter made of fiber glass reinforced PA.



P45/P45L



P45F/P45LF

	Pressure (bar)	Nozzles	Vanes
HIGH	4.14	3PRN 6 3FCN	30 V
MEDIUM	2.76	3PRN 6 3FCN	WITHOUT VANE
LOW	2.10	3PRN	30RV
VERY LOW	1.38	3PRN	30BV



P45 P45L	PRESSURE (Bar)	NOZZLES 1/8" + 3/32"		NOZZLES 9/64" + 3/32"		NOZZLES 5/32" + 3/32"		NOZZLES 11/64" + 3/32"		NOZZLES 3/16" + 3/32"		NOZZLES 3/16" + 1/8"		NOZZLES 13/64" + 1/8"		NOZZLES 7/32" + 1/8"	
		L/H	R(m)	L/H	R(m)	L/H (±)	R(m)	L/H	R(m)	L/H	R(m)	L/H	R(m)	L/H	R(m)	L/H	R(m)
TWO NOZZLES	1.38	723	11.6	849	11.9	979	12.4	1126	12.8	1285	13.2	1511	13.2	1697	13.7	1892	14.0
	1.72	806	11.9	949	12.3	1097	13.0	1261	13.4	1433	13.9	1681	13.9	1885	14.3	2101	14.8
	2.07	886	12.3	1040	13.0	1199	13.6	1379	14.0	1574	14.5	1851	14.5	2078	14.9	2317	15.4
	2.41	961	12.6	1124	13.3	1297	14.0	1492	14.5	1706	14.9	2005	14.9	2255	15.4	2521	15.8
	2.76	1029	12.8	1201	13.6	1388	14.3	1597	14.8	1824	15.2	2149	15.2	2419	15.7	2703	16.2
	3.10	1092	13.0	1274	13.7	1472	14.5	1694	15.1	1937	15.5	2283	15.5	2566	16.0	2873	16.5
	3.45	1151	13.1	1342	13.9	1549	14.6	1787	15.2	2044	15.8	2407	15.8	2703	16.3	3032	16.8
	3.79	1208	13.3	1408	14.0	1624	14.8	1874	15.4	2146	16.0	2521	16.0	2839	16.6	3180	17.1
	4.14	1263	13.4	1472	14.2	1697	14.9	1953	15.5	2239	16.2	2635	16.2	2953	16.8	3293	17.2
	4.48	1315	13.6	1533	14.3	1767	15.1	2028	15.7	2333	16.3	2748	16.3	3066	16.9	3407	17.4
	4.83	1365	13.7	1590	14.5	1835	15.2	2101	15.8	2421	16.5	2839	16.5	3180	17.1	3509	17.5
5.17	1413	13.9	1647	14.6	1901	15.4	2171	16.0	2503	16.6	2930	16.6	3271	17.2	3611	17.7	
5.52	1458	14.0	1701	14.8	1965	15.5	2242	16.2	2580	16.8	3009	16.8	3361	17.4	3702	17.8	

P45P P45LP	PRESSURE (Bar)	NOZZLES 1/8"		NOZZLES 9/64"		NOZZLES 5/32"		NOZZLES 11/64"		NOZZLES 3/16"		NOZZLES 13/64"		NOZZLES 7/32"		NOZZLES 15/64"		NOZZLES 1/4"	
		L/H	R(m)	L/H	R(m)	L/H (±)	R(m)	L/H	R(m)	L/H	R(m)	L/H	R(m)	L/H	R(m)	L/H	R(m)	L/H	R(m)
ONE NOZZLE AND PLUG	1.38			585	11.9	714	12.6	855	13.1	1013	13.5	1200	13.6	1397	13.8	1584	13.9	1806	14.0
	1.72			654	12.3	799	13.0	963	13.4	1136	13.9	1340	13.9	1556	14.2	1772	14.3	2021	14.5
	2.07			715	13.0	874	13.6	1054	14.0	1249	14.5	1476	14.9	1715	15.2	1953	15.4	2226	15.5
	2.41	609	12.6	772	13.3	945	14.0	1140	14.5	1354	14.9	1601	15.4	1862	15.8	2112	16.0	2407	16.2
	2.76	652	12.8	827	13.6	1011	14.3	1220	14.8	1449	15.2	1715	15.7	1999	16.2	2271	16.3	2589	16.6
	3.10	693	13.0	877	13.7	1072	14.5	1295	15.1	1540	15.5	1817	16.0	2124	16.5	2407	16.8	2748	17.1
	3.45	731	13.1	924	13.9	1131	14.6	1365	15.2	1626	15.8	1919	16.3	2248	16.8	2544	17.1	2907	17.4
	3.79	768	13.3	970	14.0	1186	14.8	1431	15.4	1708	16.0	2010	16.6	2362	17.1	2657	17.4	3043	17.7
	4.14	802	13.4	1013	14.2	1238	14.9	1492	15.5	1783	16.2	2101	16.8	2442	17.2	2771	17.7	3157	18.0
	4.48	836	13.6	1056	14.3	1290	15.1	1551	15.7	1858	16.3	2180	16.9	2521	17.4	2884	17.8	3293	18.3
	4.83	868	13.7	1097	14.5	1340	15.2	1610	15.8	1931	16.5	2260	17.1	2589	17.5	2998	18.0	3407	18.4
5.17	899	13.9	1136	14.6	1388	15.4	1667	16.0	1999	16.6	2328	17.2	2657	17.7	3089	18.1			
5.52	929	14.0	1174	14.8	1431	15.5	1722	16.2	2065	16.8	2385	17.4	2725	17.8					

P45V P45LV	PRESSURE (Bar)	NOZZLES 1/8" + 3/32"		NOZZLES 9/64" + 3/32"		NOZZLES 5/32" + 3/32"		NOZZLES 11/64" + 3/32"		NOZZLES 3/16" + 3/32"		NOZZLES 3/16" + 1/8"		NOZZLES 13/64" + 1/8"		NOZZLES 7/32" + 1/8"	
		L/H	R(m)	L/H	R(m)	L/H (±)	R(m)	L/H	R(m)	L/H	R(m)	L/H	R(m)	L/H	R(m)	L/H	R(m)
TWO NOZZLES AND VANE TO HIGH RANGE	2.41	961	12.9	1124	13.5	1297	14.2	1492	14.7	1706	15.3	2005	15.9	2255	15.9	2521	16.5
	2.76	1029	13.4	1201	14.2	1388	15.1	1597	15.5	1824	16.0	2149	16.0	2419	16.5	2703	16.9
	3.10	1092	13.6	1274	14.3	1472	15.2	1694	15.8	1937	16.3	2283	16.3	2566	16.8	2873	17.4
	3.45	1151	13.7	1342	14.5	1549	15.4	1787	16.0	2044	16.5	2407	16.5	2703	17.1	3032	17.8
	3.79	1208	13.9	1408	14.6	1624	15.5	1874	16.2	2146	16.6	2521	16.6	2839	17.4	3180	18.1
	4.14	1263	14.0	1472	14.8	1697	15.7	1953	16.3	2239	16.8	2635	16.8	2953	17.5	3293	18.4
	4.48	1315	14.2	1533	14.9	1767	15.8	2028	16.5	2333	16.9	2748	16.9	3066	17.7	3407	18.6
	4.83	1365	14.3	1590	15.1	1835	16.0	2101	16.6	2421	17.1	2839	17.1	3180	17.8	3509	18.7
	5.17	1413	14.5	1647	15.2	1901	16.2	2171	16.8	2503	17.2	2930	17.2	3271	18.0	3611	18.9
	5.52	1458	14.6	1701	15.4	1965	16.3	2242	16.9	2580	17.4	3009	17.4	3361	18.1	3702	19.1

P45PV P45PLV	PRESSURE (Bar)	NOZZLES 1/8"		NOZZLES 9/64"		NOZZLES 5/32"		NOZZLES 11/64"		NOZZLES 3/16"		NOZZLES 13/64"		NOZZLES 7/32"		NOZZLES 15/64"		NOZZLES 1/4"	
		L/H	R(m)	L/H	R(m)	L/H (±)	R(m)	L/H	R(m)	L/H	R(m)	L/H	R(m)	L/H	R(m)	L/H	R(m)	L/H	R(m)
ONE NOZZLE, PLUG AND VANE TO HIGH RANGE	2.41	609	13.4	772	14.1	945	15.0	1140	15.5	1354	15.9	1601	16.3	1862	16.7	2112	16.9	2407	17.5
	2.76	652	13.6	827	14.3	1011	15.2	1220	15.7	1449	16.2	1715	16.6	1999	17.1	2271	17.5	2589	18.1
	3.10	693	13.7	877	14.5	1072	15.4	1295	16.0	1540	16.5	1817	16.9	2124	17.7	2407	18.1	2748	18.7
	3.45	731	13.9	924	14.6	1131	15.5	1365	16.2	1626	16.8	1919	17.2	2248	18.1	2544	18.6	2907	19.2
	3.79	768	14.0	970	14.8	1186	15.7	1431	16.3	1708	16.9	2010	17.5	2362	18.4	2657	18.9	3043	19.5
	4.14	802	14.2	1013	14.9	1238	15.8	1492	16.5	1783	17.1	2101	17.7	2442	18.7	2771	19.2	3157	19.8
	4.48	836	14.3	1056	15.1	1290	16.0	1551	16.6	1858	17.2	2180	17.8	2521	18.9	2884	19.5	3293	20.1
	4.83	868	14.5	1097	15.2	1340	16.2	1610	16.8	1931	17.4	2260	18.0	2589	19.1	2998	19.8	3407	20.4
	5.17	899	14.6	1136	15.4	1388	16.3	1667	16.9	1999	17.5	2328	18.1	2657	19.2	3089	20.0		
	5.52	929	14.8	1174	15.5	1431	16.5	1722	17.1	2065	17.7	2385	18.3	2725	19.4				

Data obtained under ideal test conditions. It can be affected by wind, bad hydraulic conditions or other adverse factors.
Highest point of the jet above the nozzle: 2.5 m (using standard nozzle 5/32" and a pressure of 3.45 Bar)
Throw radius jets achieved with the 0.9m lift. Shaded areas not recommended.
(* Standard Nozzle.

L/H: Liters Per Minute
R(m): Throw Radius (meter)

Due to the large number of possible combinations of nozzles, only the most common ones are represented.
To find information relating to other combinations, please advise factory.

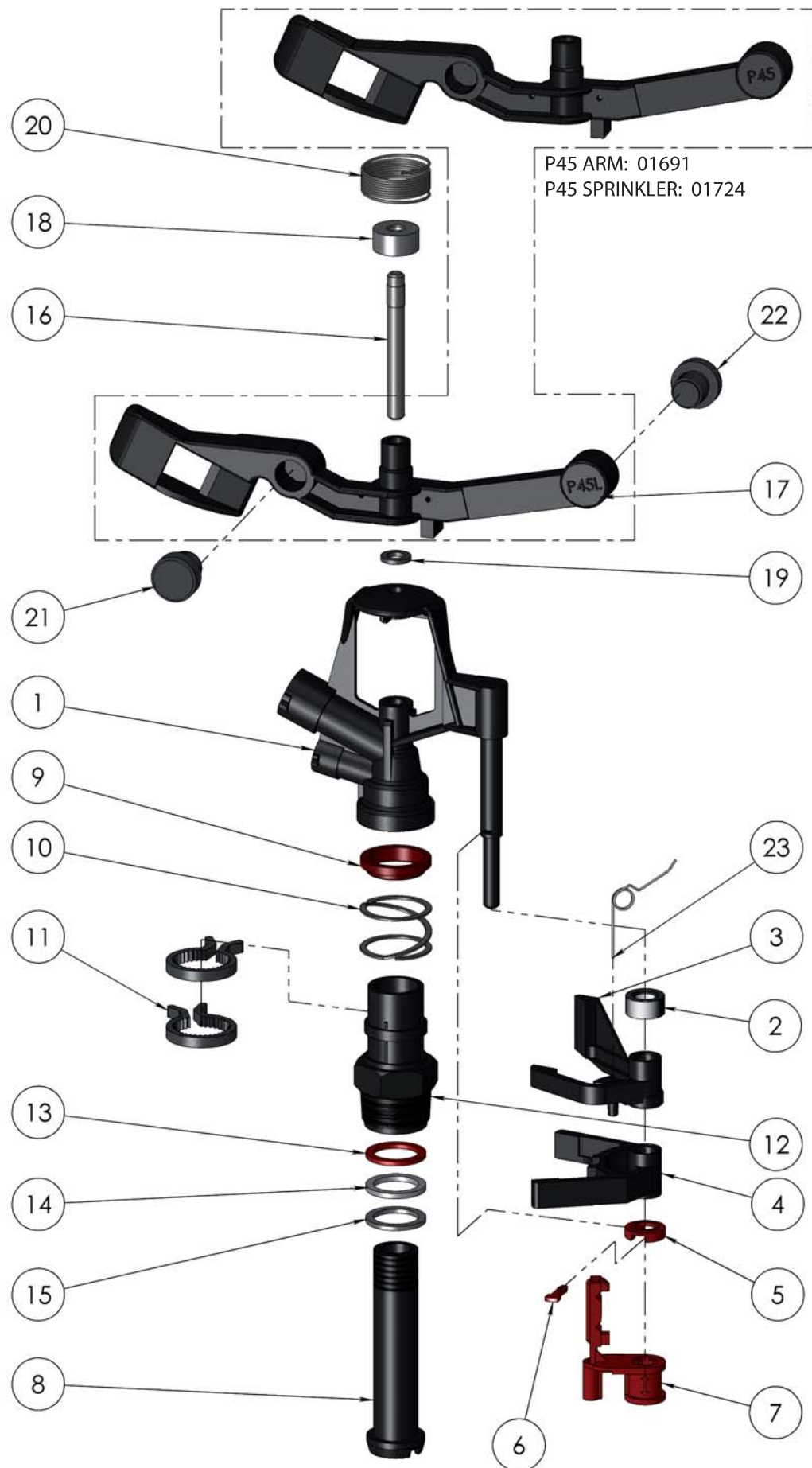


WARRANTY AND EXCLUSIONS


The manufacturer guarantees its products for direct customer against any defects in materials or manufacture for a period of two years from the original date of purchase, only when the products have been used under normal operating conditions. The manufacturer assumes no responsibility for installation, removal or repairs carried out by unauthorised personnel. The manufacturer's liability under this warranty is limited to the replacement or repair of defective parts and the manufacturer does not accept responsibility for damages to crops or any other consequential damages deriving from defects in the products covered by this warranty.

THE PRESENT WARRANTY SUPERCEDES AND VOIDS ALL OTHER WARRANTIES, WHETHER EXPRESS OR IMPLIED, INCLUDING THOSE OF MERCHANTABILITY AND FITNESS FOR PARTICULAR PURPOSES OR ANY OTHER ATTRIBUTING LIABILITY TO THE MANUFACTURER.

No agent, employee or representative of the manufacturer is authorised to void, alter or add to the conditions contained in this warranty, nor to take responsibility for, nor to make guarantees not specified herein.



COMPONENT NUMBER	CODE	DESCRIPTION	MATERIAL	QUANTITY
1	01681	Sprinkler Body P45	POM	1
2	01695	Reversing Cap	High Density PE	1
3	01685	Upper Cam	POM	1
4	01686	Lower Cam	POM	1
5	01688	Pin Washer	POM	1
6	01689	Pin	POM	1
7	01690	Inverter Latch	POM	1
8	06517	Bearing Pin P45 / F44	POM	1
9	00255	Bearing Body Lock	High Density PE	1
10	00018	Bearing Spring	Stainless Steel	1
11	01684	Cogged Sector	POM	2
12	01683	Bearing Body P45	POM	1
13	00252	Bearing Upper Washer	Anti Hydrolisis PU	1
14	06736	Bearing Intermediate Washer	High Density PE	1
15	07459	Bearing Lower Washer	NBR	1
16	06163	Fulcrum Pin	Stainless Steel	1
17	01692	Sprinkler Arm P45L	POM	1
18	06161	Swing Arm Cap	PE	1
19	06162	Arm Support Washer	NBR	1
20	06183	Arm Spring Series 3/4"	Stainless Steel	1
21	00314	Front Counterweight	ZAMAK	1
22	00316	Back Counterweight	ZAMAK	1
23	01687	Reversing Spring	Stainless Steel	1

Process/Manufacturer UNIRAIN	Size A3	Material	Code 01725
	Scale 1:2	Name P45L Sprinkler	
PRIVATE AND CONFIDENTIAL THE INFORMATION CONTAINED ON THIS PLAN IS FOR UNIRAIN USE ONLY. FORBIDDEN CHANGE OR AMENDMENT OF VALUES OF THE PLAN WITHOUT A CONSENT IN WRITING.	26/06/09		
	E.G.B.		